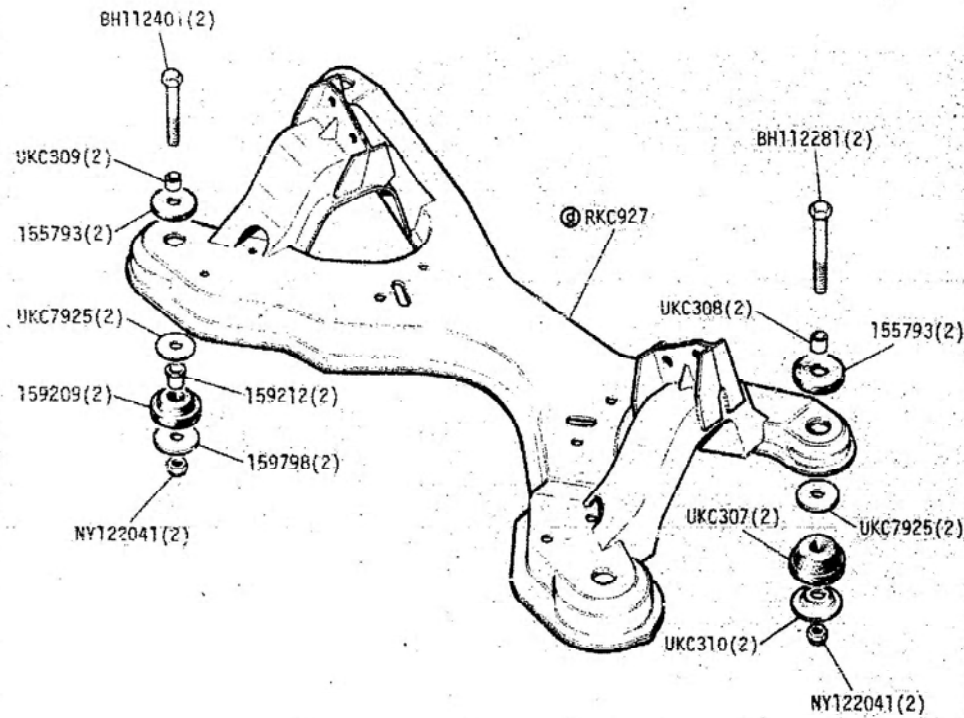


GROUP L  
BODY SECTION - Crossmember

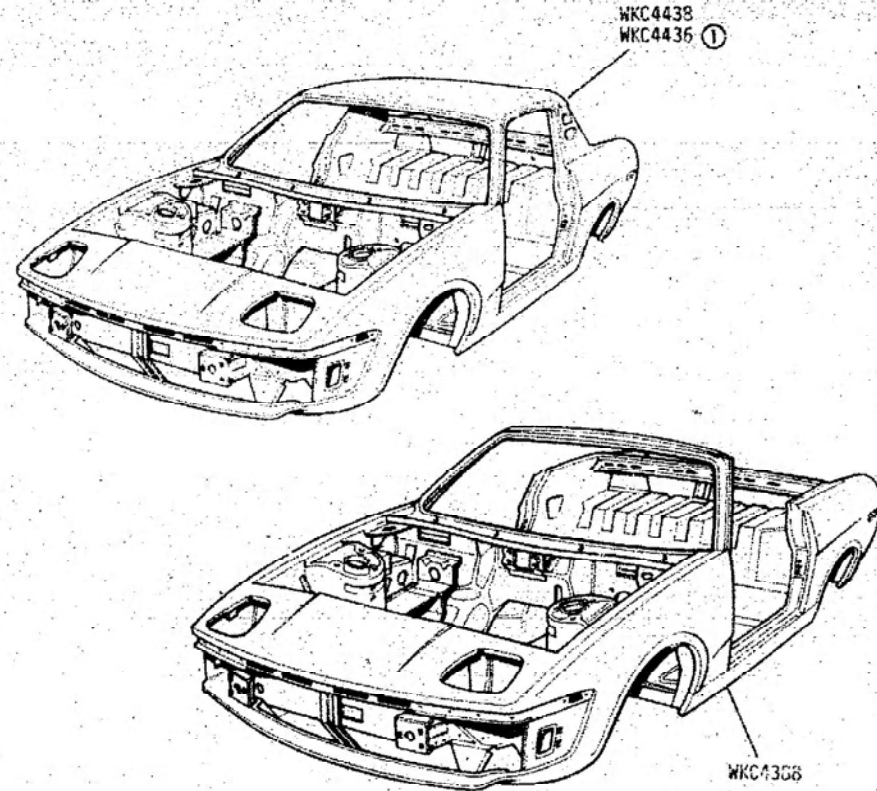


TR8

2C 02L

B7020

GROUP L  
BODY SECTION - Bod / Shell



(1) SUN ROOF ONLY

TR8

2C 02R

B4435

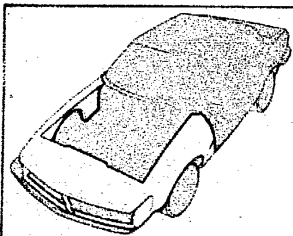
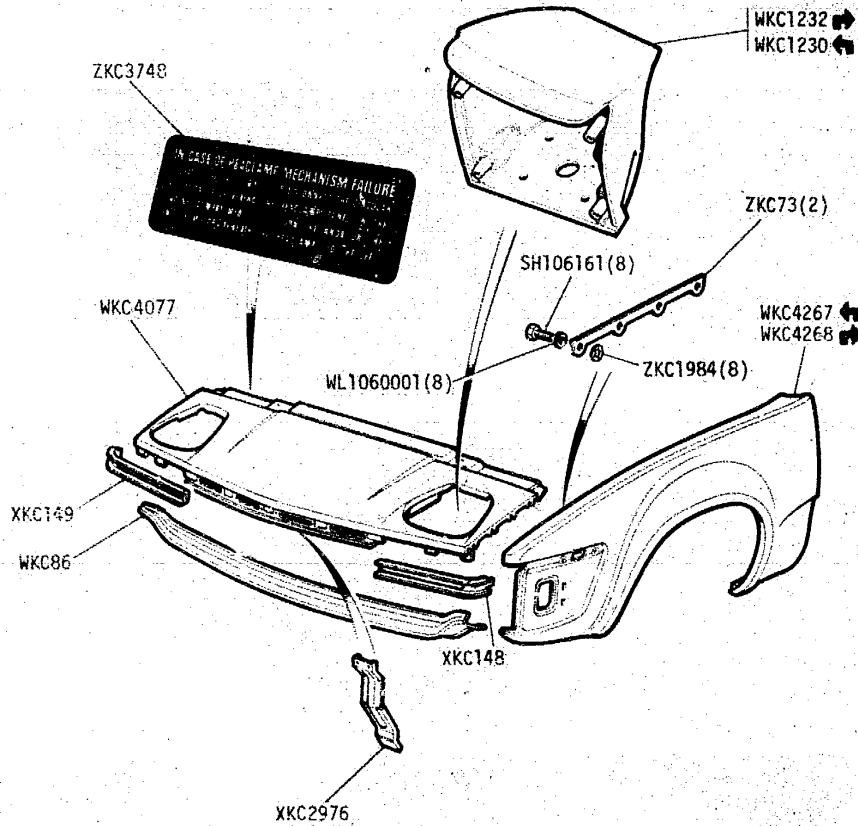
GROUP INDEX

Introduction	<b>1B 2B</b>	Steering	<b>1G</b>	Chassis, Subframes, Bodyshell, Fittings	<b>2C</b>
Engine	<b>1C</b>	Brakes and Brake Controls	<b>1H</b>	Fascia, Trim, Seats and Fixings	<b>2D</b>
Flywheel and Clutch	<b>1D</b>	Fuel, Exhaust and Emission Systems	<b>1I - J</b>	Miscellaneous	<b>2E</b>
Gearbox and Propshaft	<b>1E</b>	Cooling, Heating and Air Conditioning	<b>1K</b>	Numerical Index	<b>2F</b>
Axles, Suspension, Drive Shafts, W: ecils	<b>1F</b>	Electrical, Washers-Wipers, Instruments	<b>1L - M</b>		

**2C02**

GROUP L

BODY SECTION - Front wings, front lower panel, headlamp box



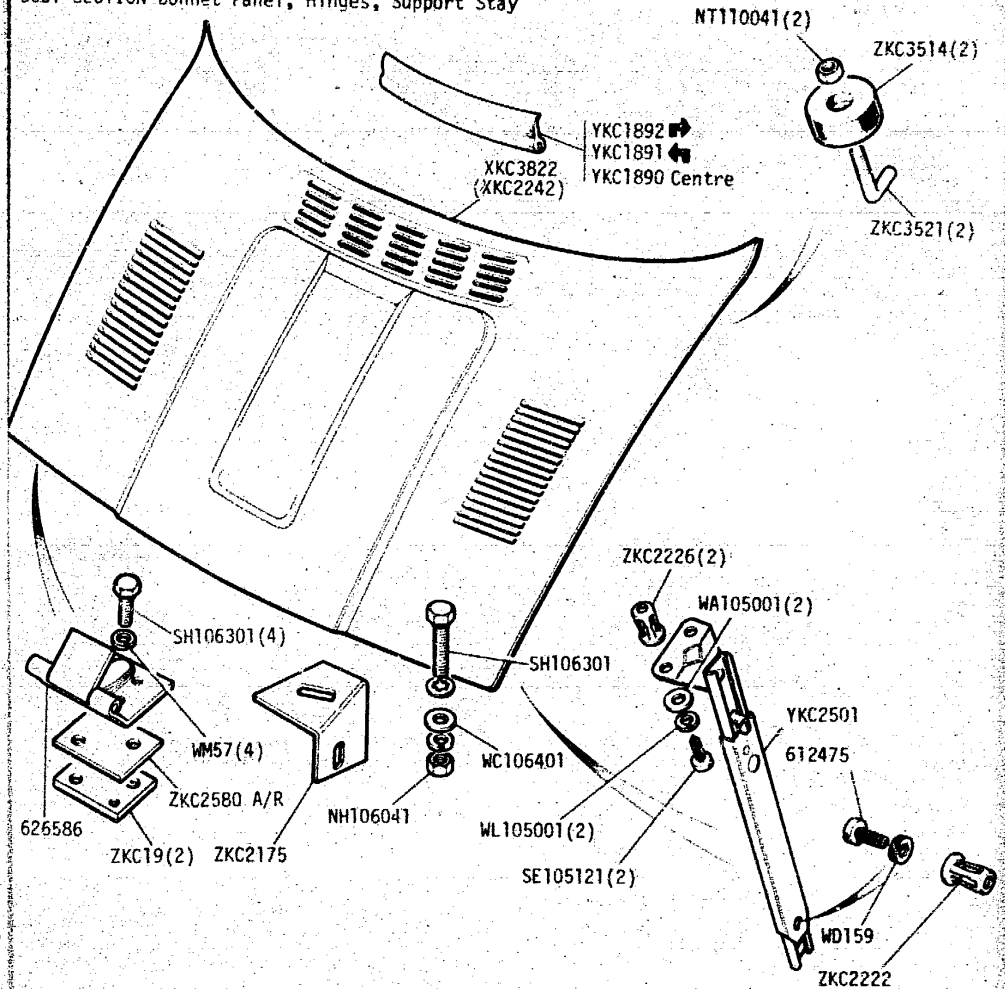
TR8

2C 03L

B7104/2

GROUP L

BODY SECTION Bonnet Panel, Hinges, Support Stay



TR8

2C 03R

B7105

GROUP INDEX

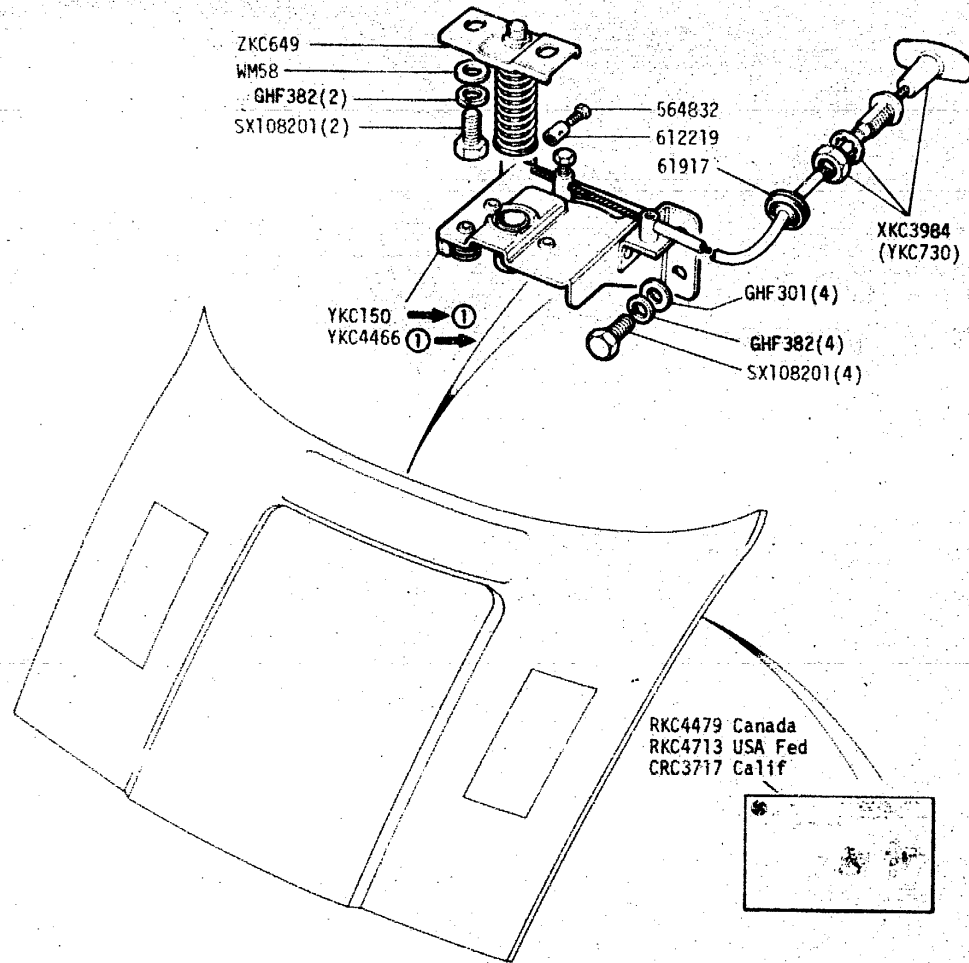
Introduction **1B 2B**  
 Engine **1C**  
 Flywheel and Clutch **1D**  
 Gearbox and Propshaft **1E**  
 Axles, Suspension, Drive Shafts, Wheels **1F**

Steering **1G**  
 Brakes and Brake Controls **1H**  
 Fuel, Exhaust and Emission Systems **1I - J**  
 Cooling, Heating and Air Conditioning **1K**  
 Electrical, Washers-Wipers, Instruments **1L - M**

Chassis, Subframes, Bodyshell, Fittings **2C**  
 Fascia, Trim, Seats and Fixings **2D**  
 Miscellaneous **2E**  
 Numerical Index **2F**

**2C03**

GROUP L  
BODY SECTION - Bonnet Release Cable, Lock, Striker Pin



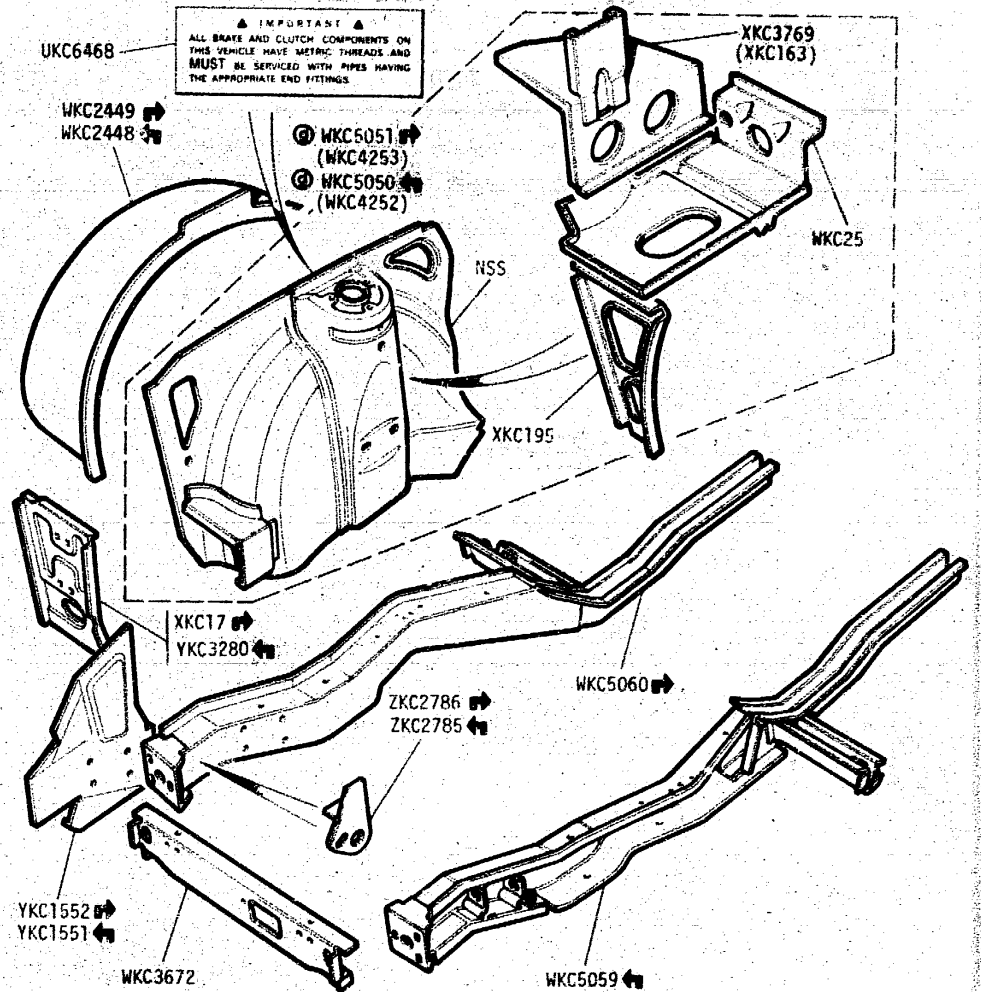
① From VIN 200001

TR8

2C 04L

B57261/1

GROUP L  
BODY SECTION - Front Wheelarch, Crossmember Longitudinal



TR8

2C 04R

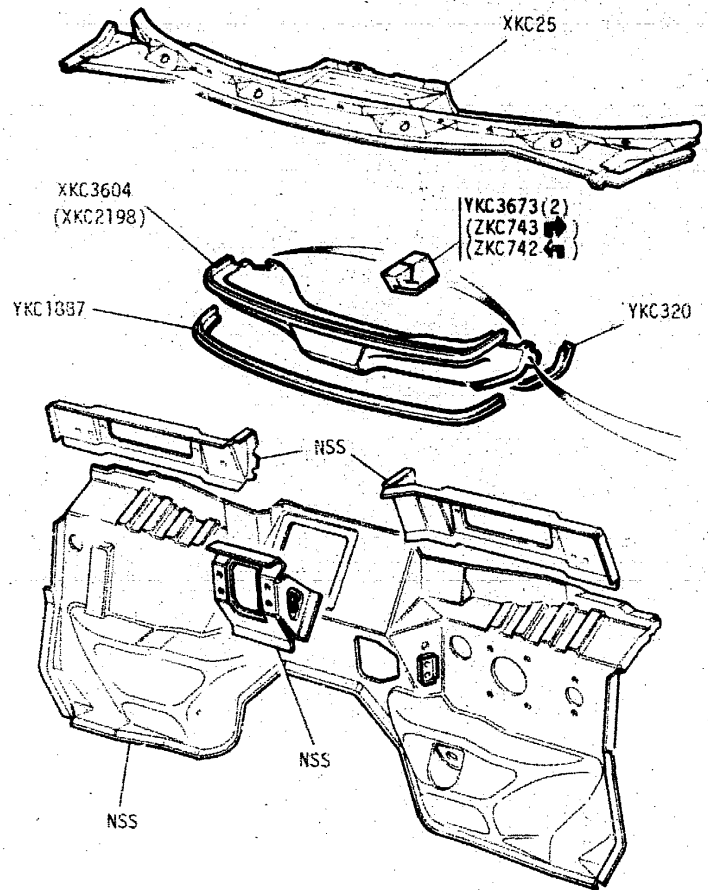
B7107

GROUP INDEX

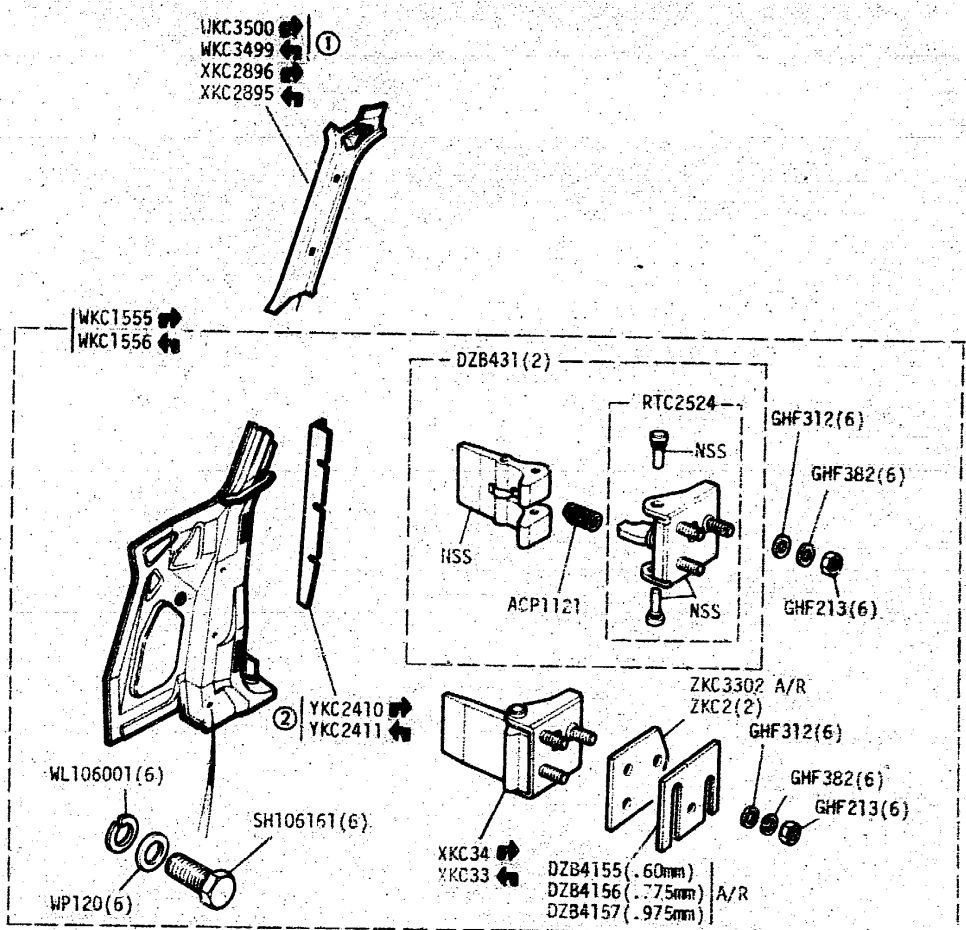
Introduction	<b>1B 2B</b>	Steering	<b>1G</b>	Chassis, Subframes, Bodyshell, Fittings	<b>2C</b>
Engine	<b>1C</b>	Brakes and Brake Controls	<b>1H</b>	Fascia, Trim, Seats and Fixings	<b>2D</b>
Flywheel and Clutch	<b>1D</b>	Fuel, Exhaust and Emission Systems	<b>1I - J</b>	Miscellaneous	<b>2E</b>
Gearbox and Propshaft	<b>1E</b>	Cooling, Heating and Air Conditioning	<b>1K</b>	Numerical Index	<b>2F</b>
Axles, Suspension, Drive Shafts, Wheels	<b>1F</b>	Electrical, Washers-Wipers, Instruments	<b>1L - M</b>		

**2C04**

GROUP L  
BODY SECTION - 'A' Post, Dash Top Panels, Plenum Panel



GROUP L  
BODY SECTION - 'A' Post, Hinges



- ① Convertible
- ② For use with front fenders WKC4267 and WKC4268

TR8 2C 05L VS1961

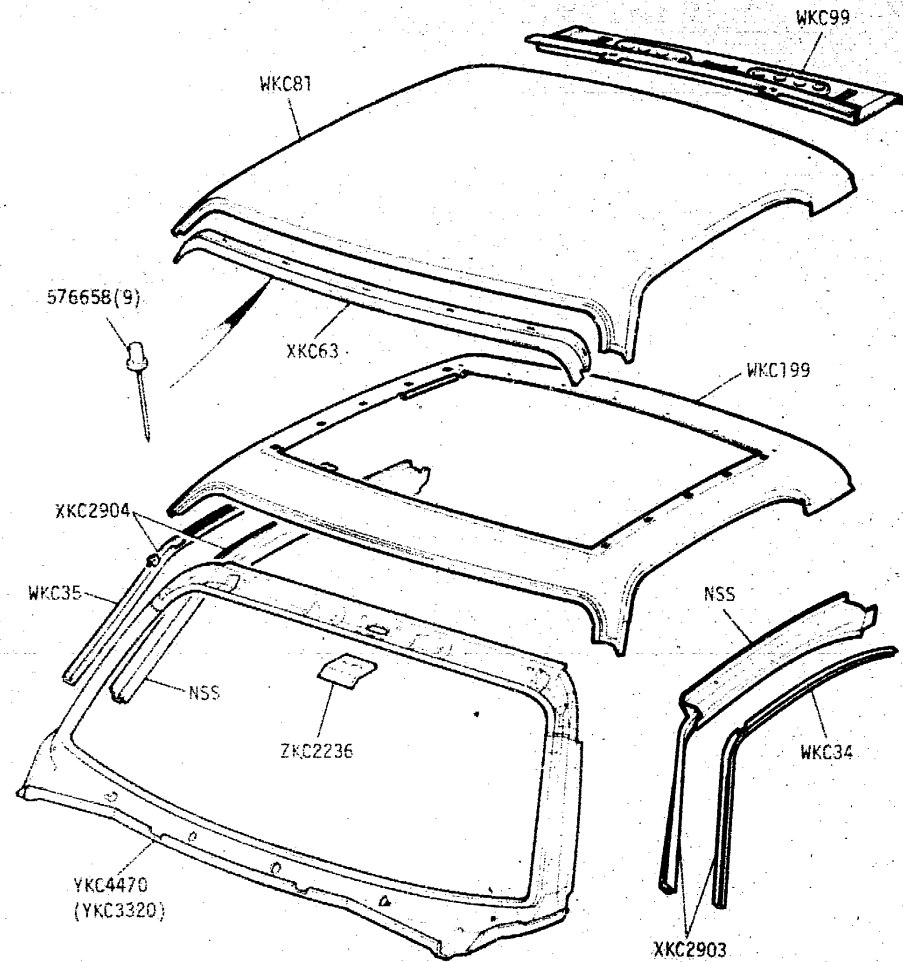
TR8 2C 05R VS1962

GROUP INDEX

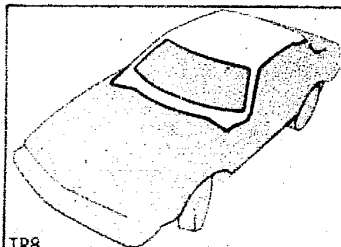
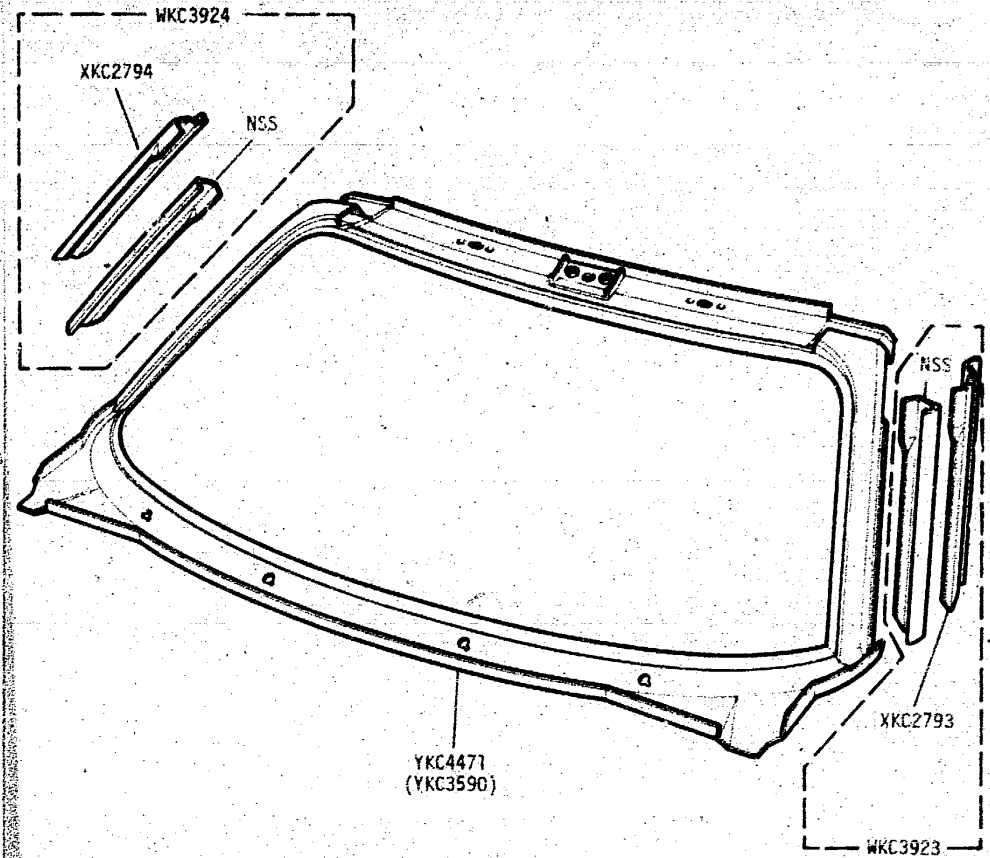
Introduction	<b>1B 2B</b>	Steering	<b>1G</b>	Chassis, Subframes, Bodyshell, Fittings	<b>2C</b>
Engine	<b>1C</b>	Brakes and Brake Controls	<b>1H</b>	Fascia, Trim, Seats and Fixings	<b>2D</b>
Flywheel and Clutch	<b>1D</b>	Fuel, Exhaust and Emission Systems	<b>1I - J</b>	Miscellaneous	<b>2E</b>
Gearbox and Propshaft	<b>1E</b>	Cooling, Heating and Air Conditioning	<b>1K</b>	Numerical Index	<b>2F</b>
Axles, Suspension, Drive Shafts, Wheels	<b>1F</b>	Electrical, Washers-Wipers, Instruments	<b>1L - M</b>		



GROUP L  
BODY SECTION - Roof Panels, Cantrail



GROUP L  
BODY SECTION - Windshield Panel



TR8

2C 06L

B4442/5

TR8 CONVERTIBLE

2C 06R

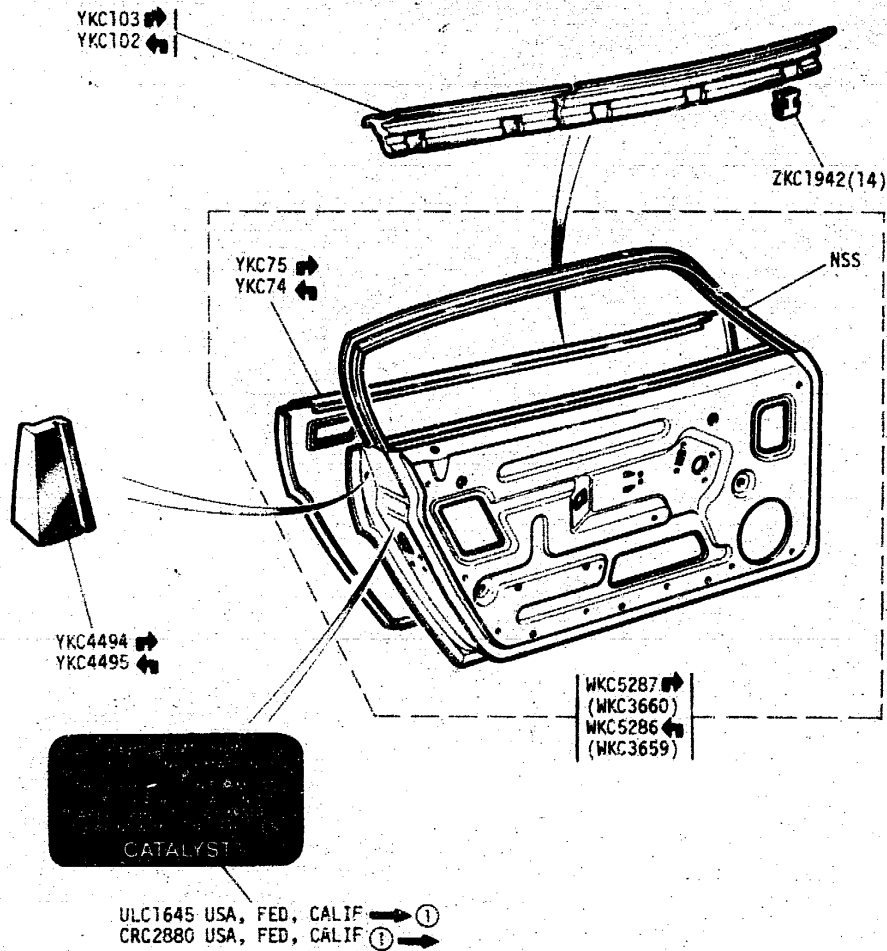
B7219

GROUP INDEX

Introduction	<b>1B 2B</b>	Steering	<b>1G</b>	Chassis, Subframes, Bodysell, Fittings	<b>2C</b>
Engine	<b>1C</b>	Brakes and Brake Controls	<b>1H</b>	Fascia, Trim, Seats and Fixings	<b>2D</b>
Flywheel and Clutch	<b>1D</b>	Fuel, Exhaust and Emission Systems	<b>1I - J</b>	Miscellaneous	<b>2E</b>
Gearbox and Propshaft	<b>1E</b>	Cooling, Heating and Air Conditioning	<b>1K</b>	Numerical Index	<b>2F</b>
Axles, Suspension, Drive Shafts, Wheels	<b>1F</b>	Electrical, Washers-Wipers, Instruments	<b>1L - M</b>		

**2C06**

GROUP L  
BODY SECTION - Door panels, outer waist seal, door buffer



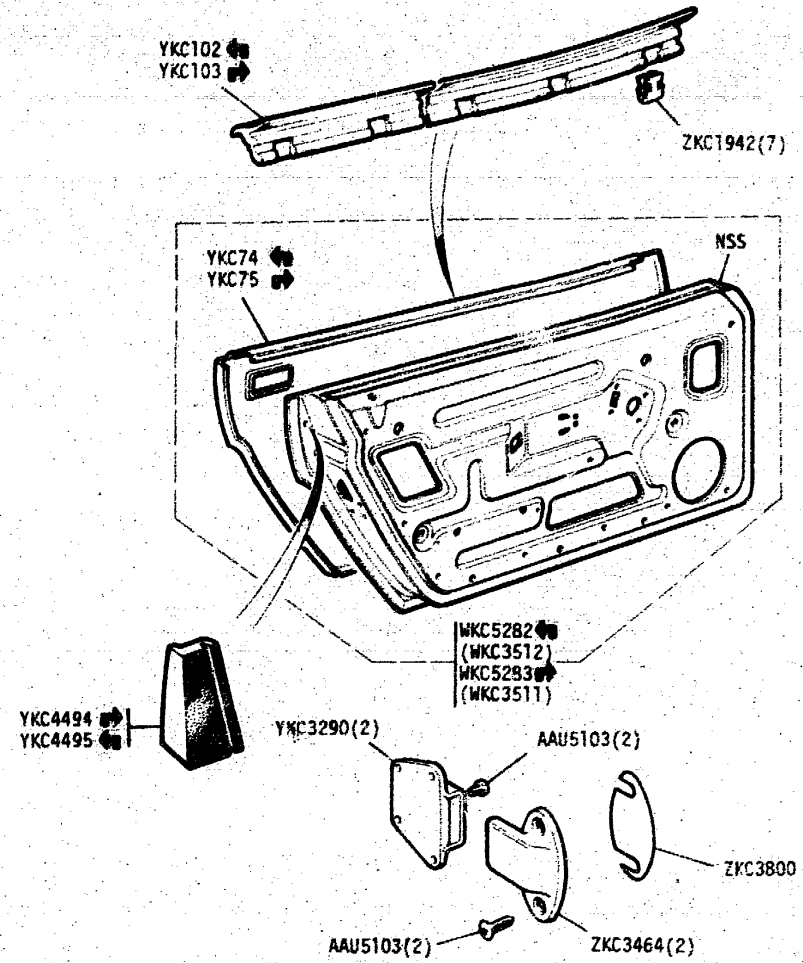
① VIN 402001

TR8

2C 07L

VS1963

GROUP L  
BODY SECTION - Door, Hinges and Seals



TR8 Convertible

2C 07R

B4443

GROUP INDEX

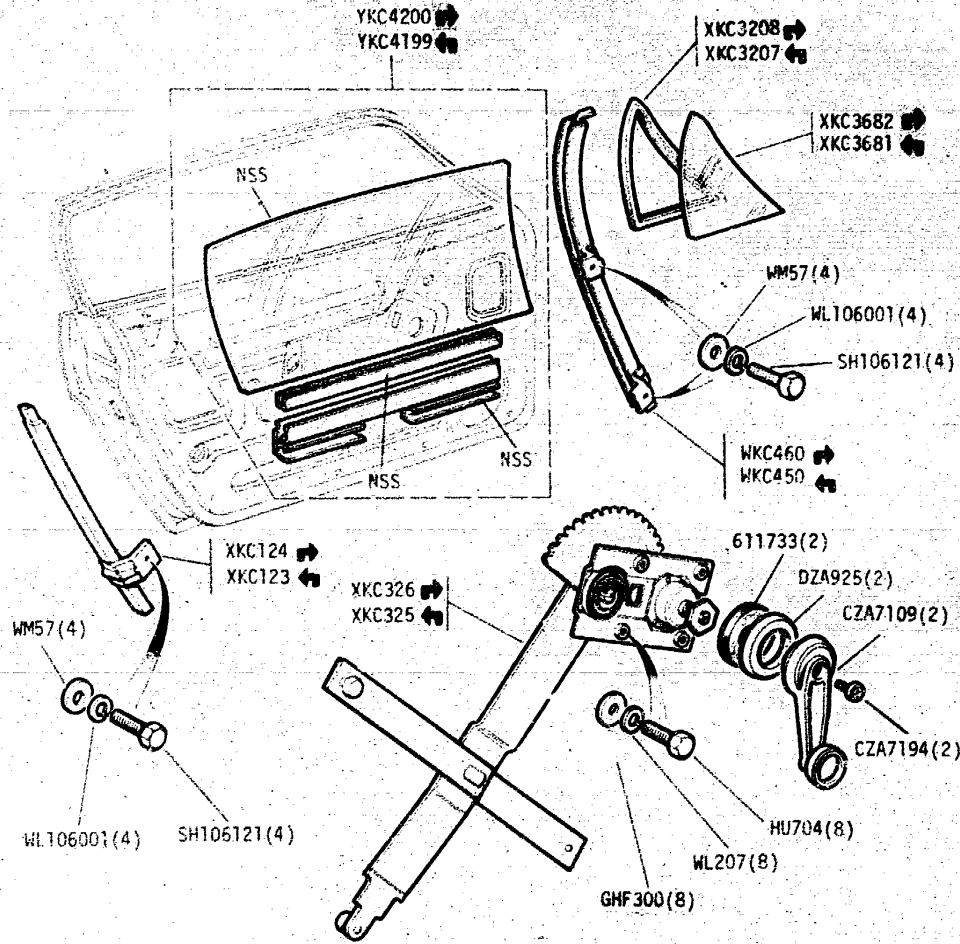
Introduction **1B 2B**  
 Engine **1C**  
 Flywheel and Clutch **1D**  
 Gearbox and Propshaft **1E**  
 Axles, Suspension, Drive Shafts, Wheels **1F**

Steering **1G**  
 Brakes and Brake Controls **1H**  
 Fuel, Exhaust and Emission Systems **1I - J**  
 Cooling, Heating and Air Conditioning **1K**  
 Electrical, Washers-Wipers, Instruments **1L - M**

Chassis, Subframes, Bodysell, Fittings **2C**  
 Fascia, Trim, Seats and Fixings **2D**  
 Miscellaneous **2E**  
 Numerical Index **2F**

**2C07**

GROUP L  
BODY SECTION - Door Glass



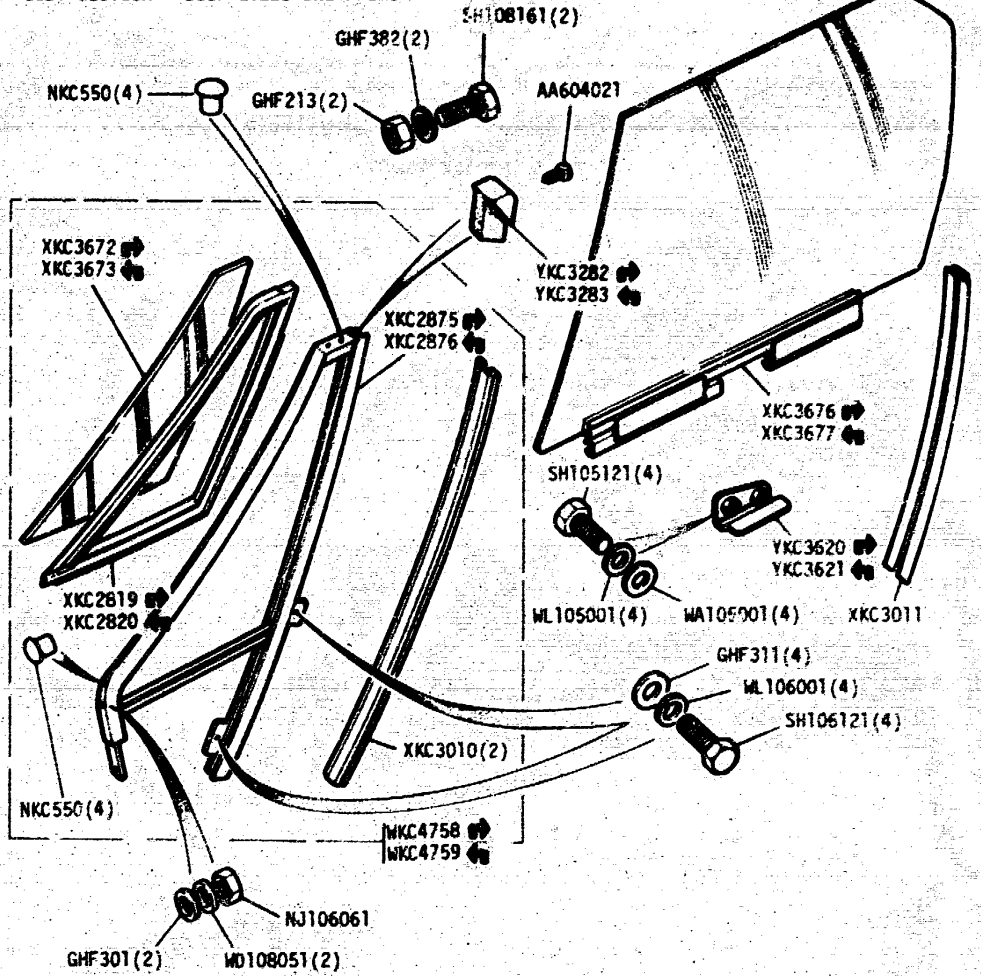
① Sundry

TR3

2C D&L

B7117

GROUP L  
BODY SECTION - Door Glass and Frame



TR3 Convertible

2C OBR

B7208

GROUP INDEX

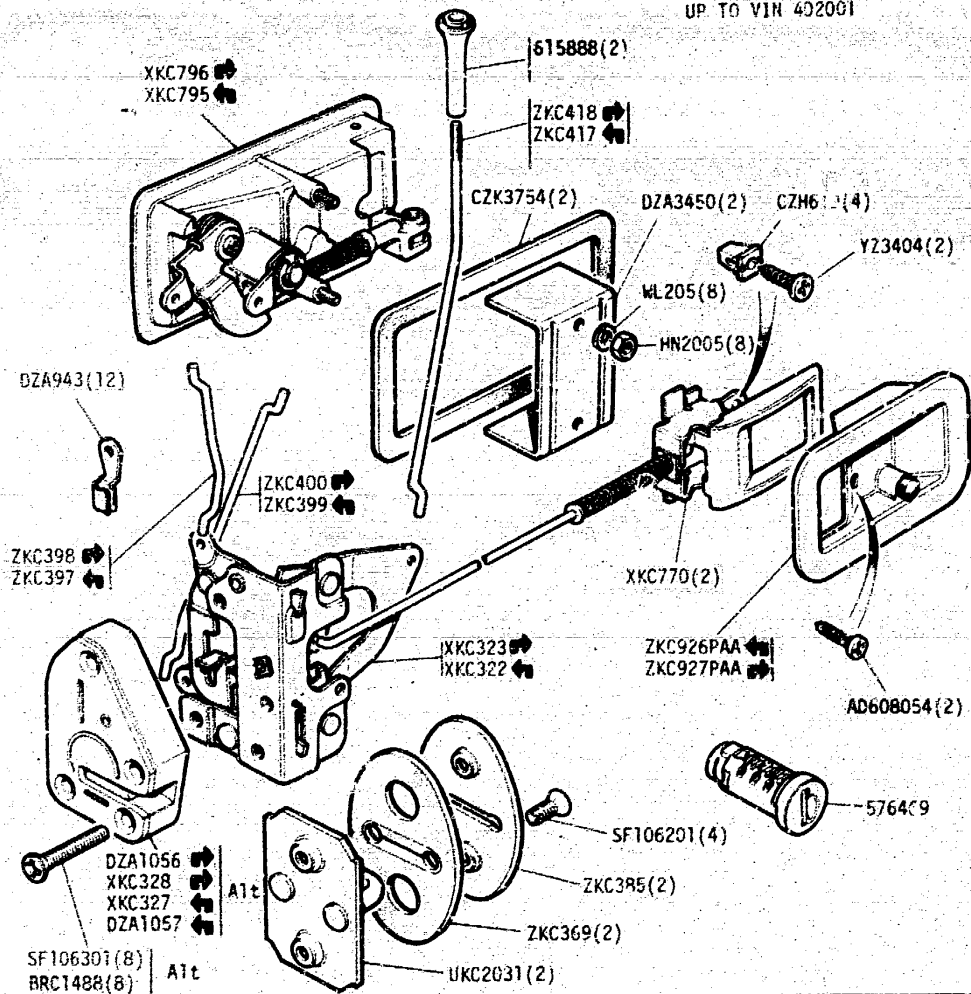
Introduction **1B 2B**  
 Engine **1C**  
 Flywheel and Clutch **1D**  
 Gearbox and Propshaft **1E**  
 Axles, Suspension, Drive Shafts, Wheels **1F**

Steering **1G**  
 Brakes and Brake Controls **1H**  
 Fuel, Exhaust and Emission Systems **1I - J**  
 Cooling, Heating and Air Conditioning **1K**  
 Electrical, Washers-Wipers, Instruments **1L - M**

Chassis, Subframes, Bodyshell, Fittings **2C**  
 Fascia, Trim, Seats and Fixings **2D**  
 Miscellaneous **2E**  
 Numerical Index **2F**

2008

**GROUP L**  
**BODY SECTION - Door handle, disc latch, R/C handle, sill button, B post striker**  
 UP TO VIN 402001

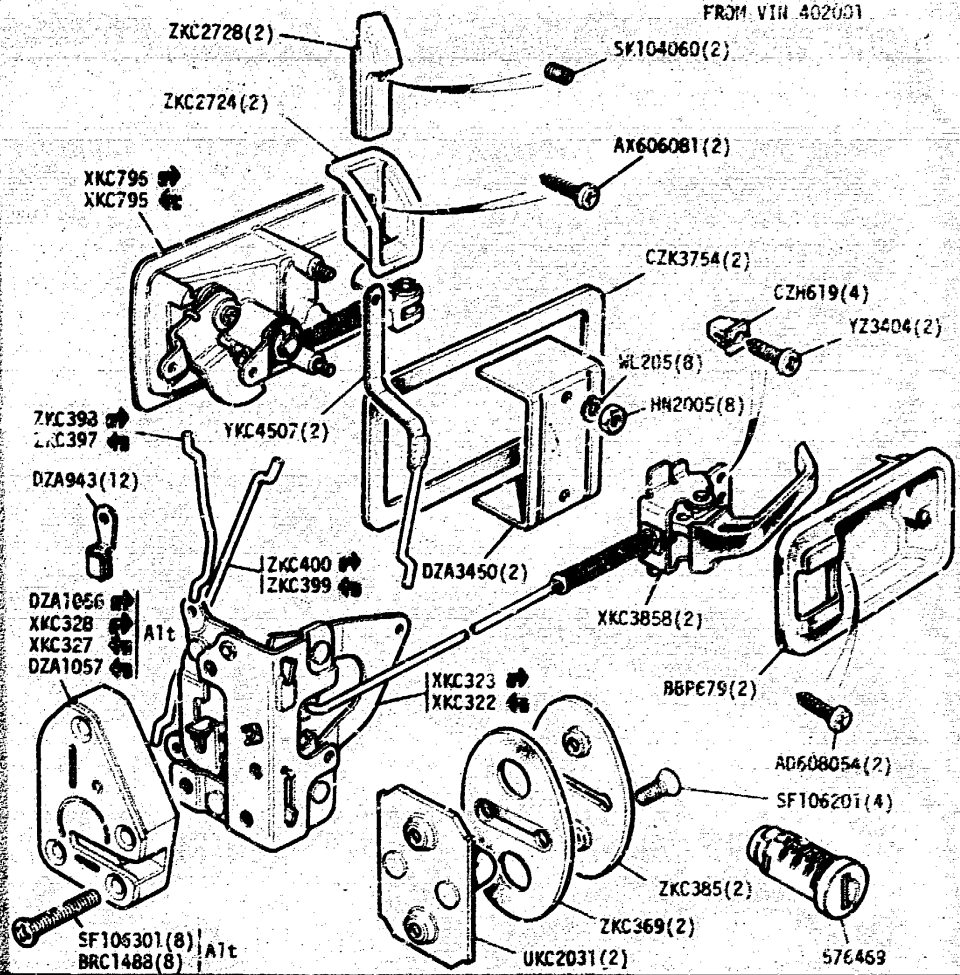


TR8

2C 09L

B7113

**GROUP L**  
**BODY SECTION - Door handle, disc latch, R/C handle, sill button, B post striker**  
 FROM VIN 402001



TR8

2C 09R

VS3372

**GROUP INDEX**

Introduction	<b>1B 2B</b>
Engine	<b>1C</b>
Flywheel and Clutch	<b>1D</b>
Gearbox and Propshaft	<b>1E</b>
Axles, Suspension, Drive Shafts, Wheels	<b>1F</b>

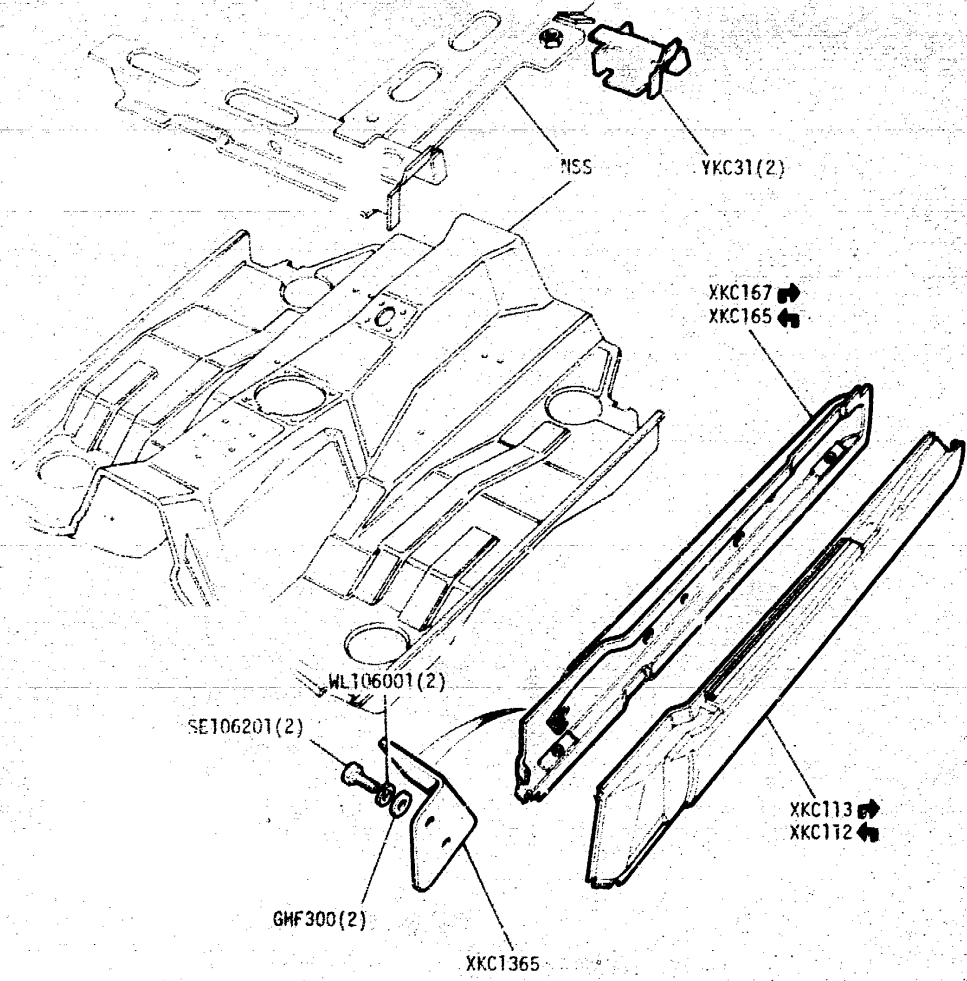
Steering	<b>1G</b>
Brakes and Brake Controls	<b>1H</b>
Fuel, Exhaust and Emission Systems	<b>1I - J</b>
Cooling, Heating and Air Conditioning	<b>1K</b>
Electrical, Washers-Wipers, Instruments	<b>1L - M</b>

Chassis, Subframes, Bodyshell, Fittings	<b>2C</b>
Fascia, Trim, Seats and Fixings	<b>2D</b>
Miscellaneous	<b>2E</b>
Numerical Index	<b>2F</b>

**2C09**



**GROUP L**  
**BODY SECTION - Sill Panels, Jack Mounting Bracket, Footrest**



**BLANK**

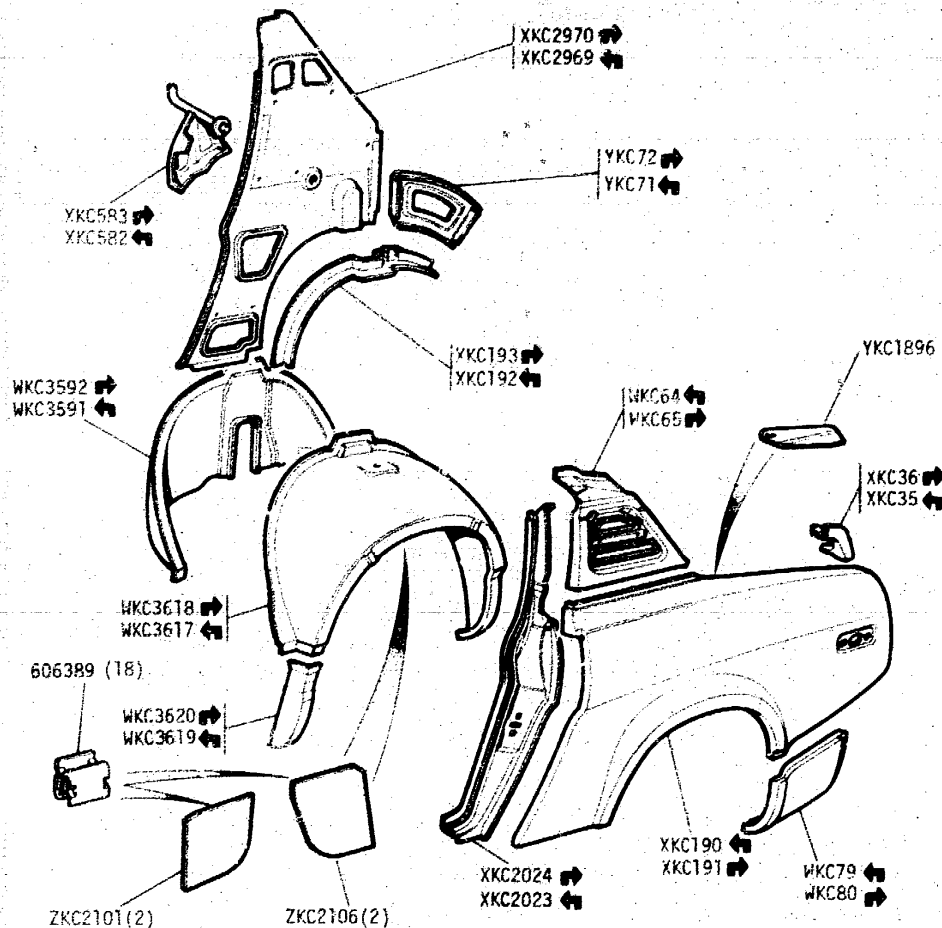
TR8 2C 10L 87109

**GROUP INDEX**

Introduction	<b>1B</b>	<b>2B</b>	Steering	<b>1G</b>	Chassis, Subframes, Bodysell, Fittings	<b>2C</b>
Engine	<b>1C</b>		Brakes and Brake Controls	<b>1H</b>	Fascia, Trim, Seats and Fixings	<b>2D</b>
Flywheel and Clutch	<b>1D</b>		Fuel, Exhaust and Emission Systems	<b>1I - J</b>	Miscellaneous	<b>2E</b>
Gearbox and Propshaft	<b>1E</b>		Cooling, Heating and Air Conditioning	<b>1K</b>	Numerical Index	<b>2F</b>
Axles, Suspension, Drive Shafts, Wheels	<b>1F</b>		Electrical, Washers-Wipers, Instruments	<b>1L - M</b>		

**2010**

GROUP L  
BODY SECTION - Rear Quarter Panels, Rear Wheelarch, Tonneau Panels

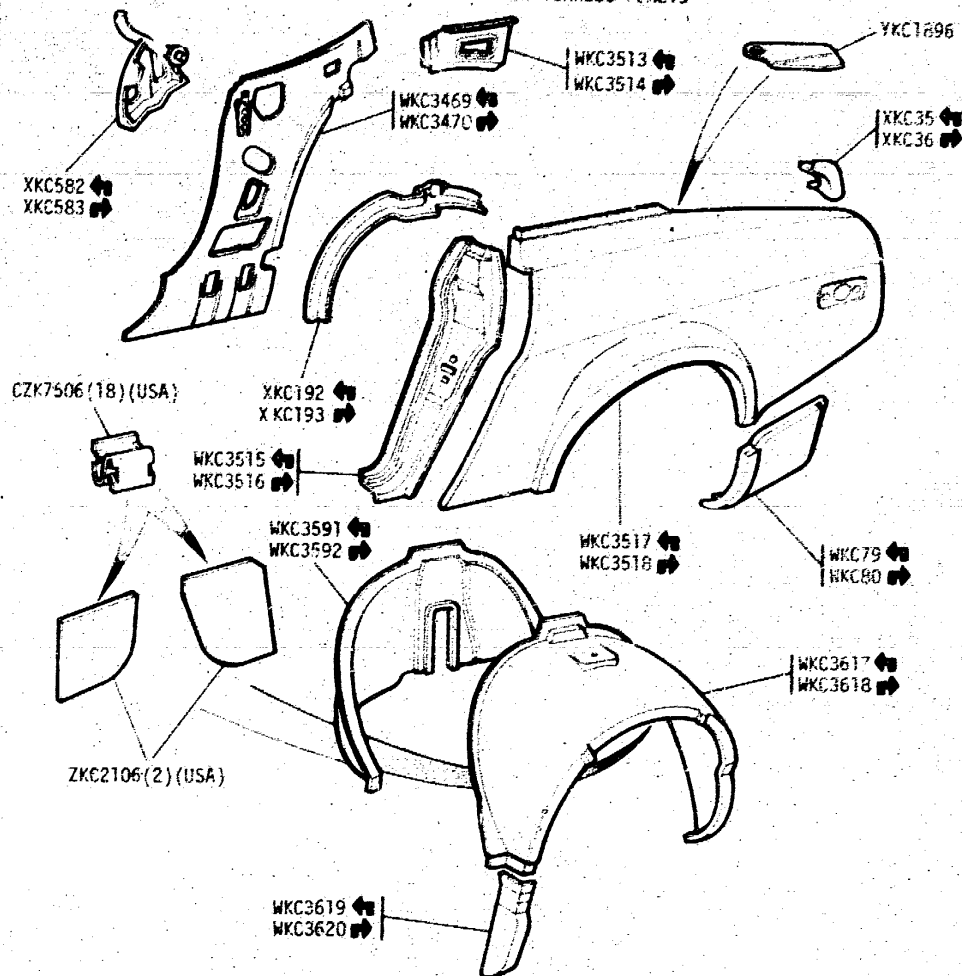


TR8

2C 11L

B4440/4

GROUP L  
BODY SECTION - Rear Quarter Panels rear Wheelarch Tonneau Panels



TR8, CONVERTIBLE

2C 11R

B7217

GROUP INDEX

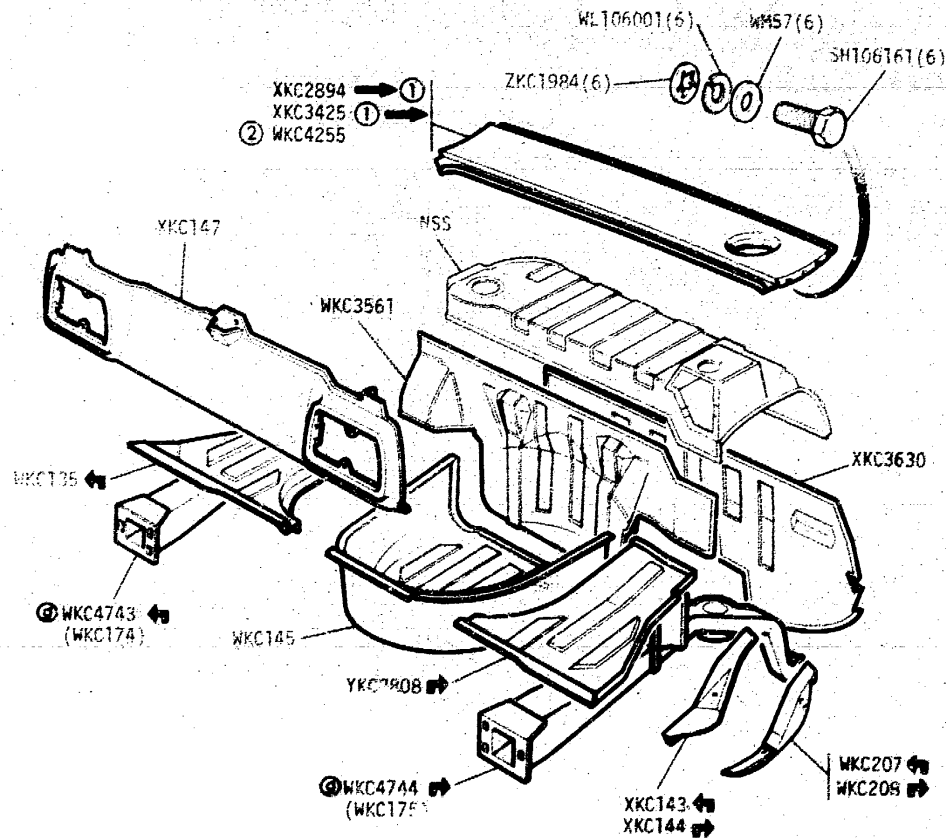
Introduction **1B 2B**  
 Engine **1C**  
 Flywheel and Clutch **1D**  
 Gearbox and Propshaft **1E**  
 Axles, Suspension, Drive Shafts, Wheels **1F**

Steering **1G**  
 Brakes and Brake Controls **1H**  
 Fuel, Exhaust and Emission Systems **1I - J**  
 Cooling, Heating and Air Conditioning **1K**  
 Electrical, Washers/Wipers, Instruments **1L - M**

Chassis, Subframes, Bodysheel, Fittings **2C**  
 Fascia, Trim, Seats and Fixings **2D**  
 Miscellaneous **2E**  
 Numerical Index **2F**

**2C11**

**GROUP L**  
BODY SECTION - Rear end panels



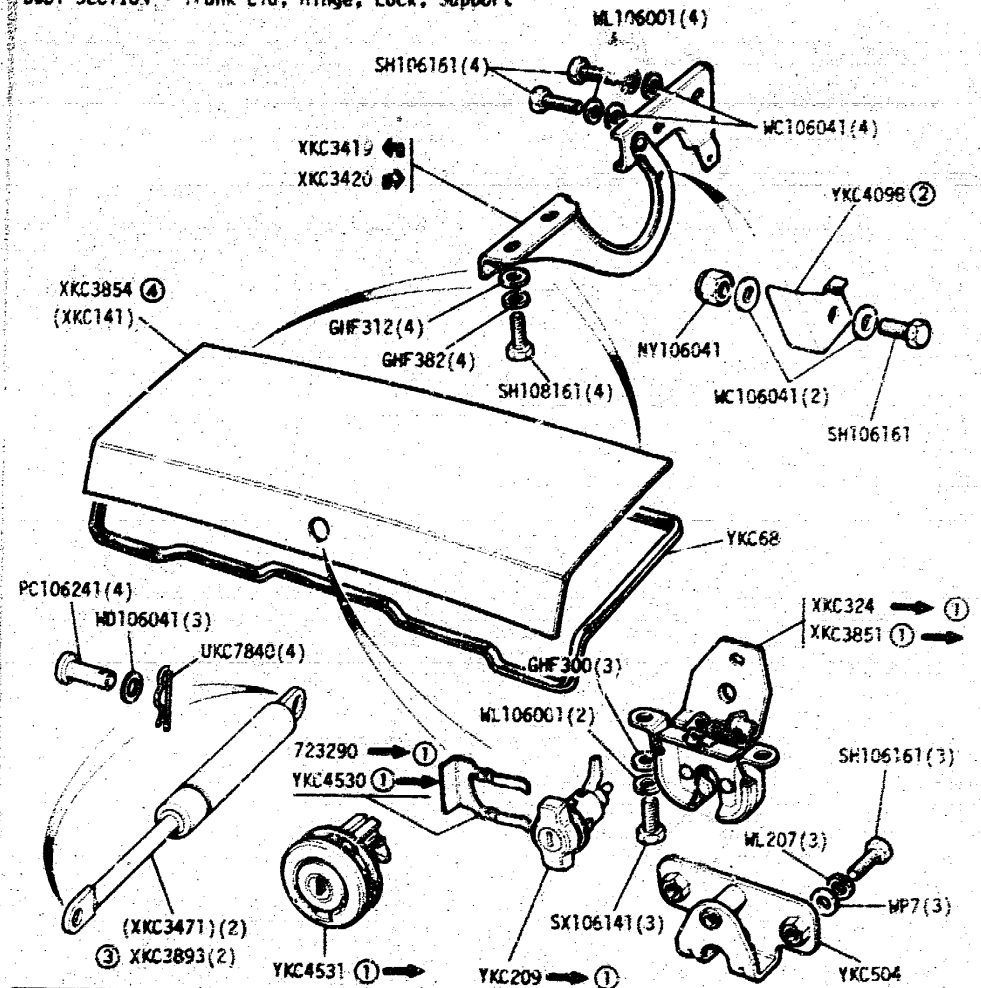
- ① From Comm. No 160000
- ② Convertible

TR8

ZC 12L

B7115

**GROUP L**  
BODY SECTION - Trunk Lid, Hinge, Lock, Support



- ① From Vin 402001
- ② Only
- ③ Must be fitted in pairs on all cars prior to VIN 402001
- ④ When fitting XKC3854 to vehicles prior to VIN 402001 the latest locking mechanism must also be fitted.

TR8

ZC 12R

B4645

**GROUP INDEX**

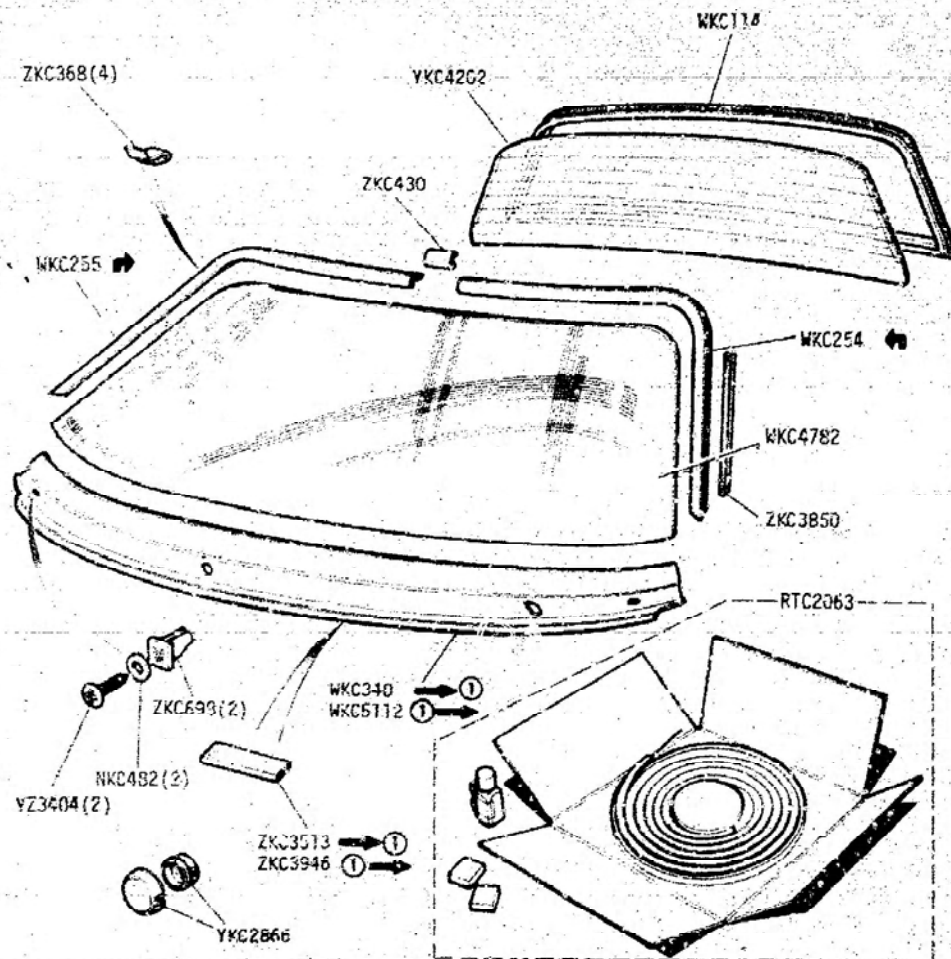
Introduction **1B 2B**  
 Engine **1C**  
 Flywheel and Clutch **1D**  
 Gearbox and Propshaft **1E**  
 Axles, Suspension, Drive Shafts, Wheels **1F**

Steering **1G**  
 Brakes and Brake Controls **1H**  
 Fuel, Exhaust and Emission Systems **1I - J**  
 Cooling, Heating and Air Conditioning **1K**  
 Electrical, Washers, Wipers, Instruments **1L - M**

Chassis, Subframes, Bodyshell, Fittings **2C**  
 Fascia, Trim, Seats and Fixings **2D**  
 Miscellaneous **2E**  
 Numerical Index **2F**

**2C12**

**GROUP L**  
**BODY SECTION - Screen and Backlight Glass, Screen Finishers, Glazing Kit**



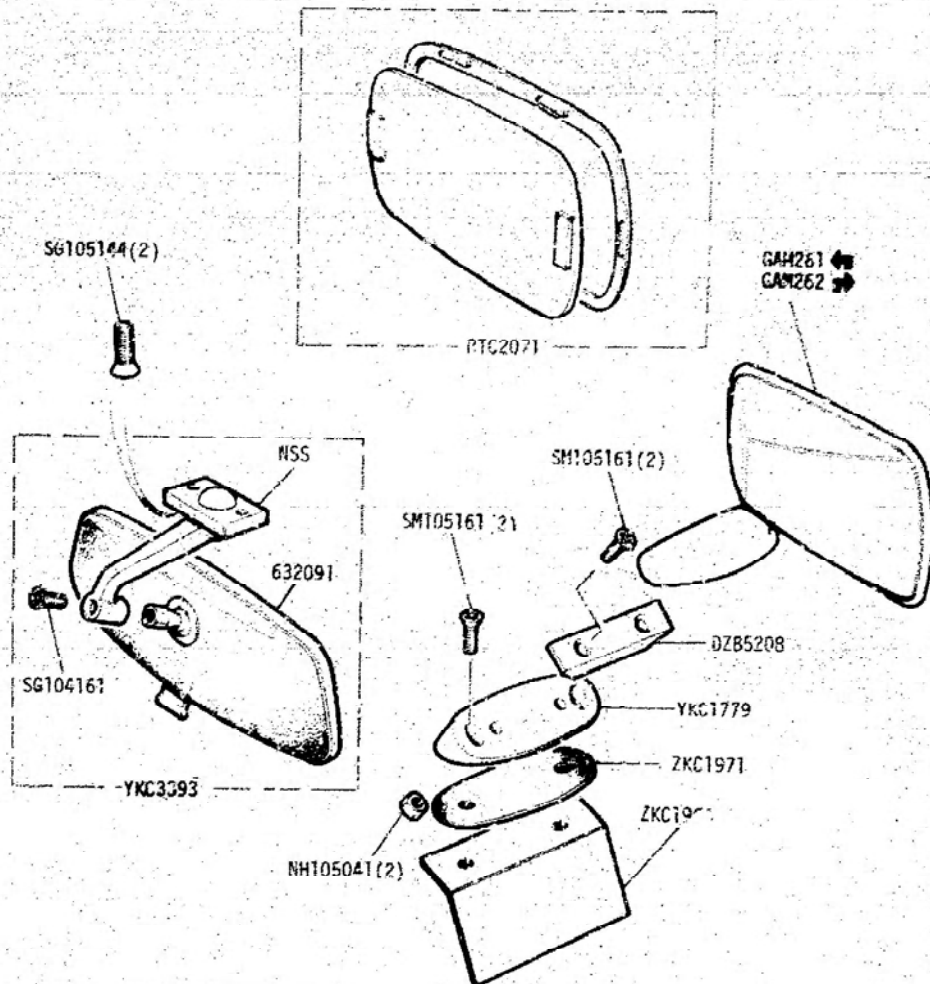
① VIN 202093

TR8

2C 13L

87116

**GROUP L**  
**BODY SECTION - Mirrors**



TR8

2C 13R

87121

**GROUP INDEX**

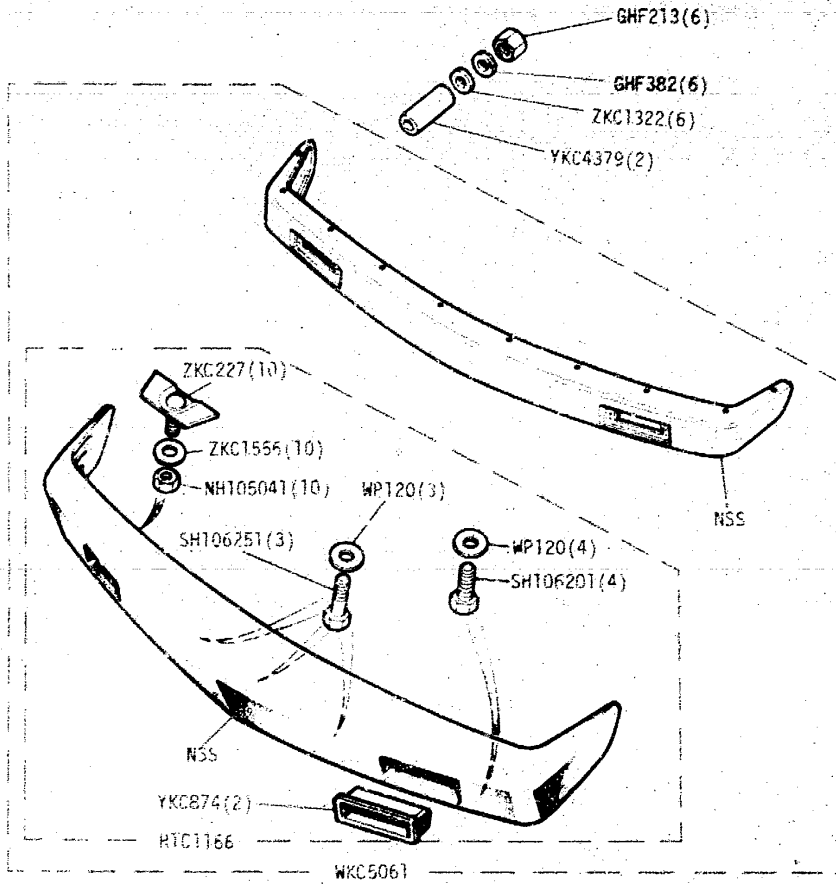
Introduction **1B 2B**  
 Engine **1C**  
 Flywheel and Clutch **1D**  
 Gearbox and Propshaft **1E**  
 Axles, Suspension, Drive Shafts, Wheels **1F**

Steering **1G**  
 Brakes and Brake Controls **1H**  
 Fuel, Exhaust and Emission Systems **1I - J**  
 Cooling, Heating and Air Conditioning **1K**  
 Electrical, Washers/Wipers, Instruments **1L - M**

Chassis, Subframes, Bodyshell, Fittings **2C**  
 Fascia, Trim, Seats and Fixings **2D**  
 Miscellaneous **2E**  
 Numerical Index **2F**

**2C13**

GROUP L  
BODY SECTION - Front Bumper

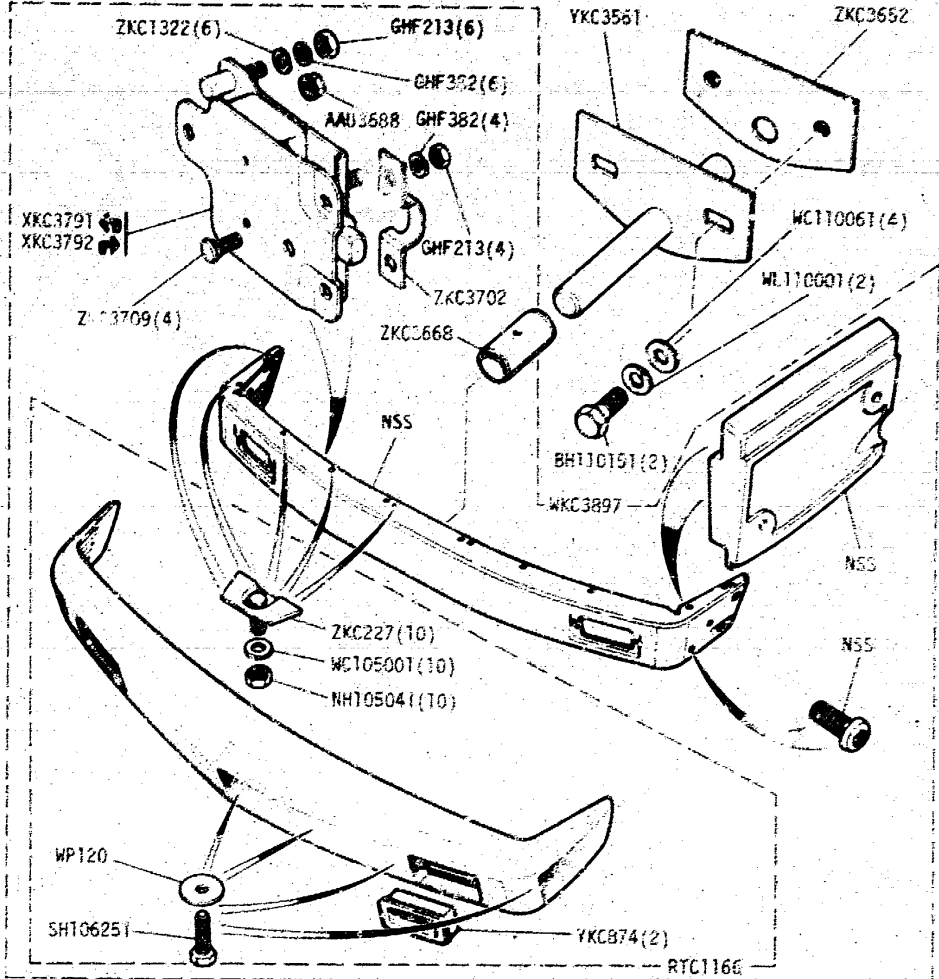


TR8

2C 14L

B4450/1

GROUP L  
BODY SECTION - Front Bumper - Harmonic (USA)



TR8 Convertible

2C 14R

VS1095

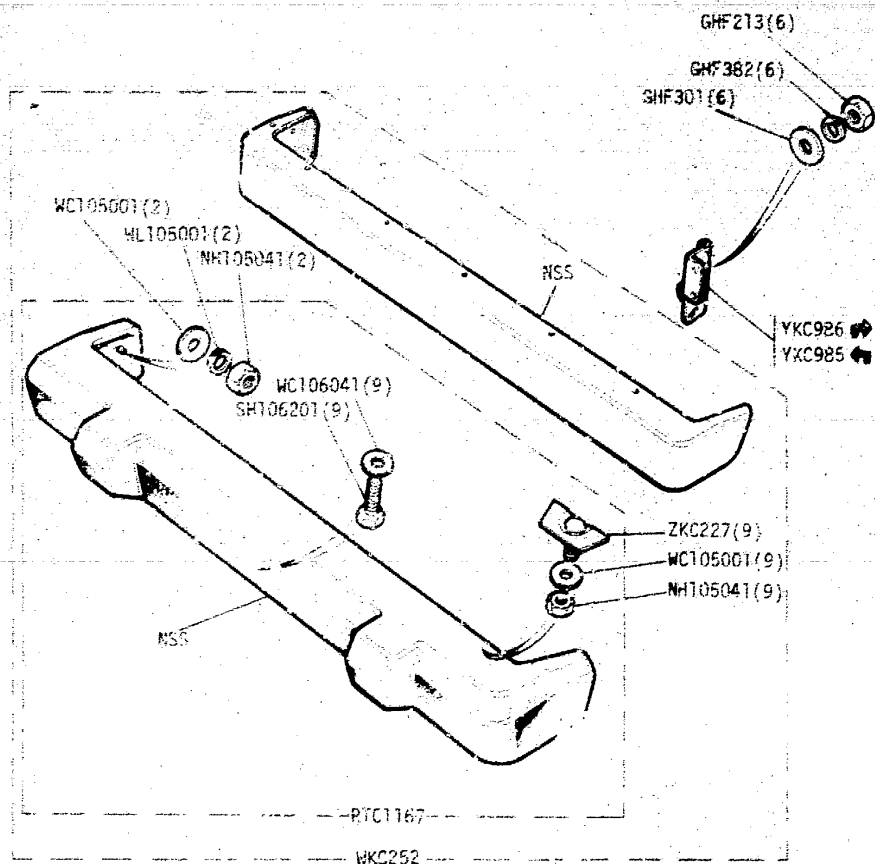
GROUP INDEX

Introduction	<b>1B 2B</b>	Steering	<b>1G</b>
Engine	<b>1C</b>	Brakes and Brake Controls	<b>1H</b>
Flywheel and Clutch	<b>1D</b>	Fuel, Exhaust and Emission Systems	<b>1I - J</b>
Gearbox and Propshaft	<b>1E</b>	Cooling, Heating and Air Conditioning	<b>1K</b>
Axles, Suspension, Drive Shafts, Wheels	<b>1F</b>	Electrical, Washers-Wipers, Instruments	<b>1L - M</b>

Chassis, Subframes, Bodyshell, Fittings	<b>2C</b>
Fascia, Trim, Seats and Fixings	<b>2D</b>
Miscellaneous	<b>2E</b>
Numerical Index	<b>2F</b>

**2C14**

GROUP L  
BODY SECTION - Rear Bumper

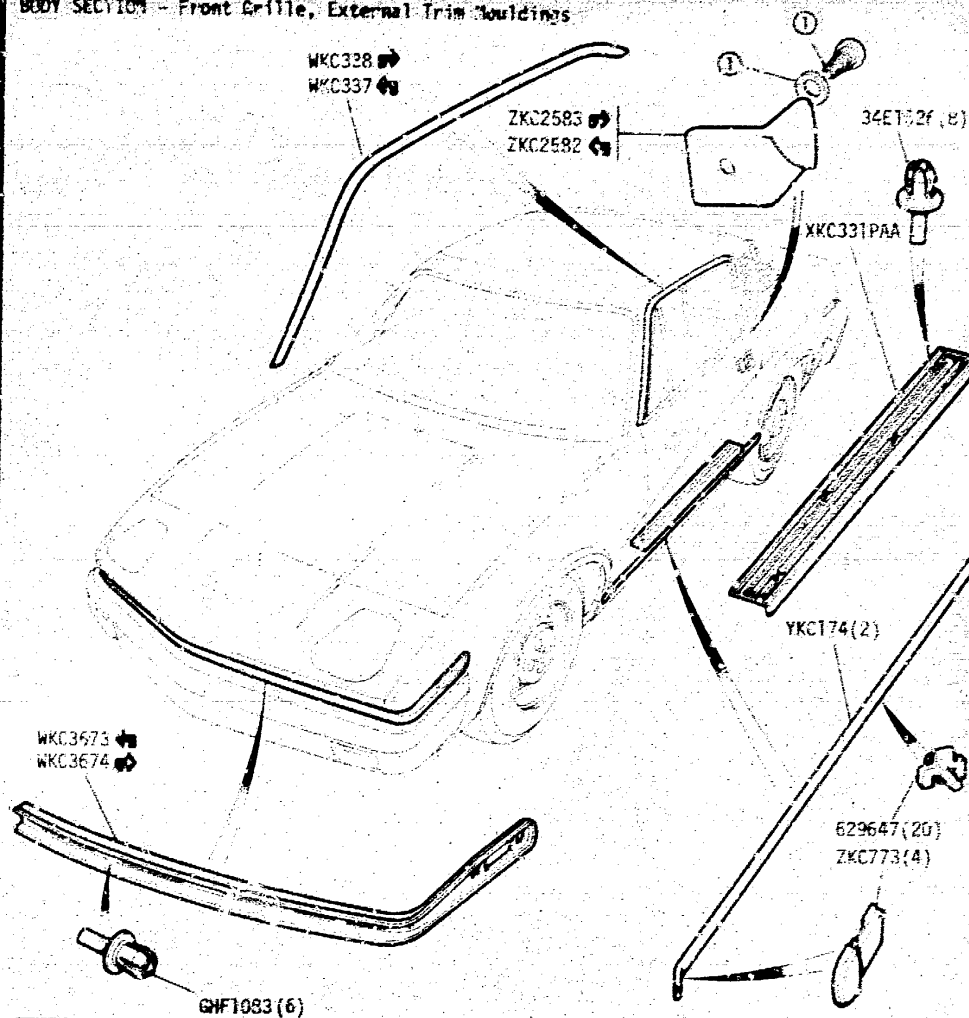


TR8

2C 15L

E7120

GROUP E  
BODY SECTION - Front Grille, External Trim Moldings



①	NKC479(2)	Screw	
	NKC482(2)	Washer	
	ADU3298(2)	Button	all in sets
	RA608255(2)	Rivet	

TR8

2C 15R

E7118

GROUP INDEX

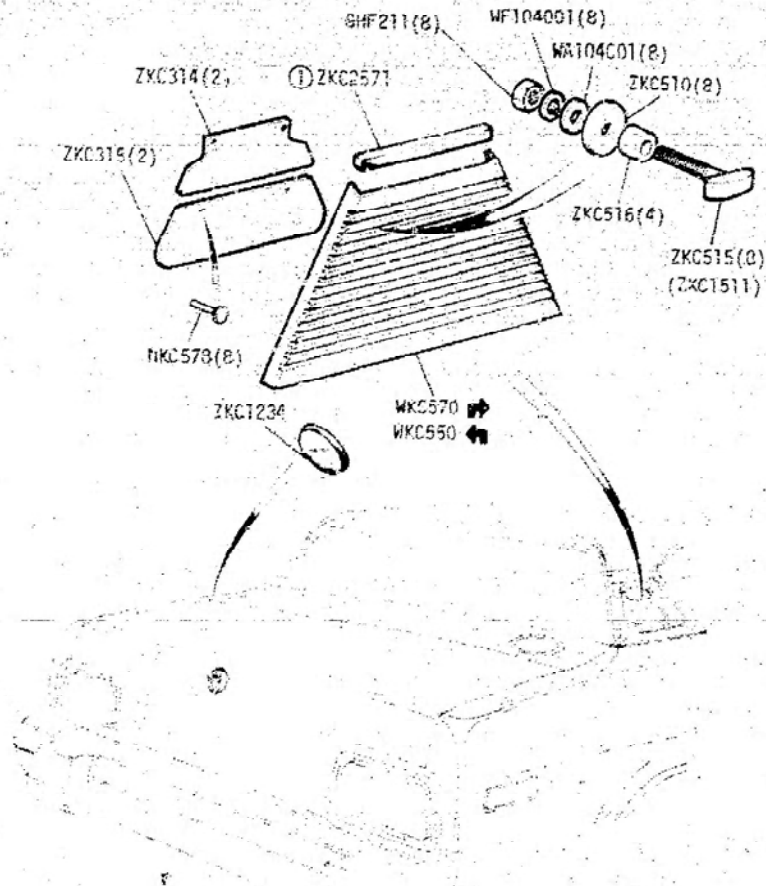
Introduction **1B 2B**  
 Engine **1C**  
 Flywheel and Clutch **1D**  
 Gearbox and Propshaft **1E**  
 Axles, Suspension, Drive Shafts, Wheels **1F**

Steering **1G**  
 Brakes and Brake Controls **1H**  
 Fuel, Exhaust and Emission Systems **1J - J**  
 Cooling, Heating and Air Conditioning **1K**  
 Electrical, Washers, Wipers, Instruments **1L - 1A**

Chassis, Subframes, Bodyshell, Fittings **2C**  
 Fascia, Trim, Seats and Fixings **2D**  
 Miscellaneous **2E**  
 Numerical Index **2F**

**2015**

GROUP L  
BODY SECTION - Rear Quarter Grille



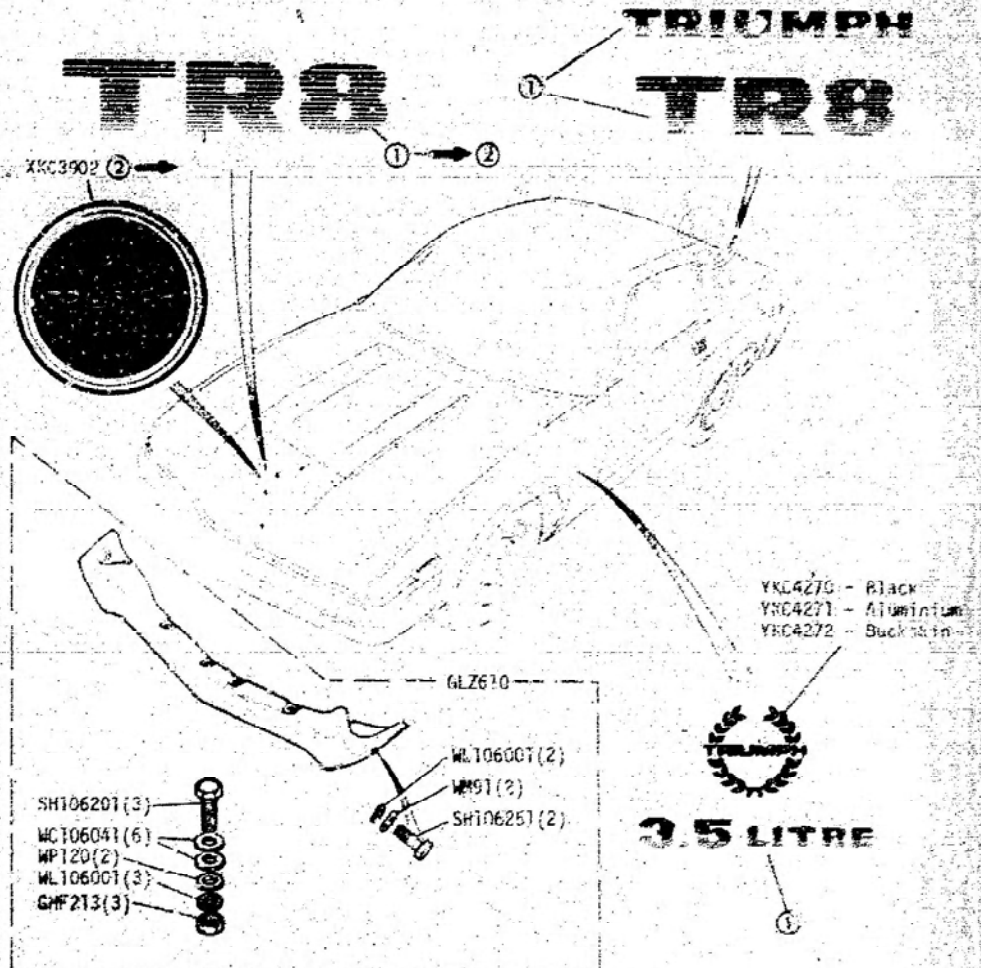
① Supplied in 1 metre lengths

TR8

2C 15L

B7122

GROUP L  
BODY SECTION - Body side marker, transfers, front spoiler



TR8

2C 15L

R5256/3

GROUP INDEX

Introduction **1B 2B**  
 Engine **1C**  
 Flywheel and Clutch **1D**  
 Gearbox and Propshaft **1E**  
 Axles, Suspension, Drive Shafts, Wheels **1F**

Steering **1G**  
 Brakes and Brake Controls **1H**  
 Fuel, Exhaust and Emission Systems **1I - J**  
 Cooling, Heating and Air Conditioning **1K**  
 Electrical, Washers/Wipers, Instruments **1L - M**

Chassis, Subframes, Bodyshell, Fittings **2C**  
 Fascia, Trim, Seats and Fixings **2D**  
 Miscellaneous **2E**  
 Numerical Index **2F**

**2C16**